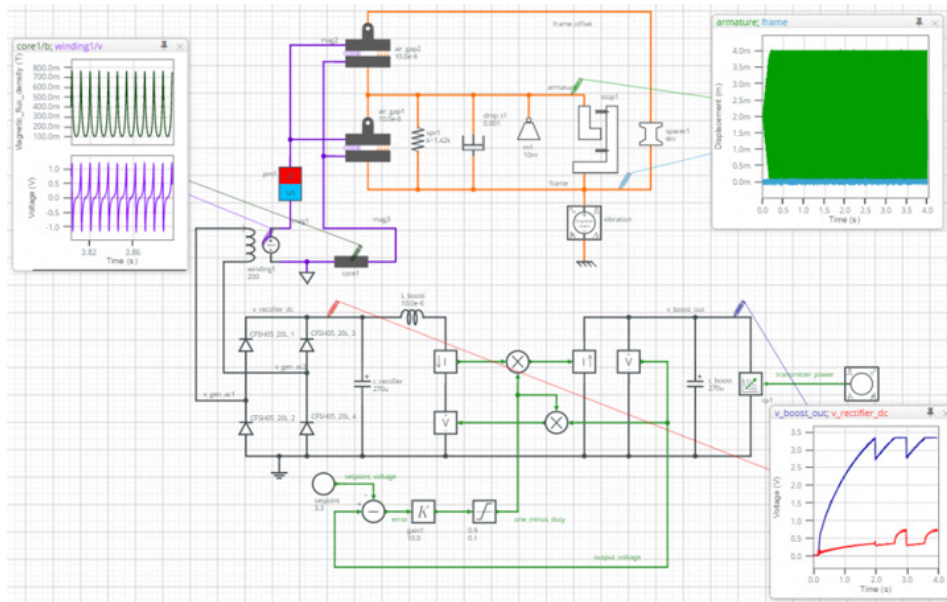


Using SystemVision® Cloud for Energy Harvesting Application



This energy harvesting example, developed using SystemVision Cloud, shows an electrodynamic EH system that could be used to extract energy from the vibration of an industrial motor.

Energy Harvesting for Industrial IoT and Automotive Applications

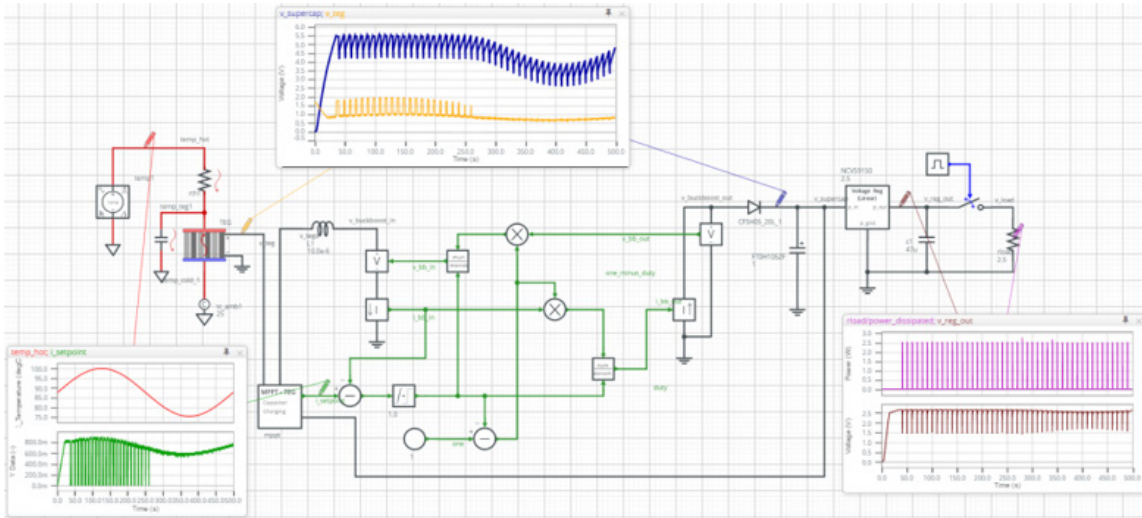
Many new IIoT and automotive applications use wireless sensing technology as their data source. These systems need electrical power to operate the sensor and signal conditioning circuits, as well as for data processing and transmission. A common problem for these systems is the limited lifetime of batteries and the cost to replace them. Energy Harvesting (EH) can extend that lifetime or even eliminate the need for batteries. With EH, a sensor system includes a mechanism to extract waste energy from the local environment and convert it to useful electrical power.

SystemVision Cloud is a free online circuit simulator that provides easy-to-use schematic capture, a rich variety of electronic circuit and mechatronic system building-block models, and state-of-art simulation technology. It is well suited for the design of circuits and mechanisms used in energy harvesting applications. The energy harvesting example designs shown on this sheet are also available on SystemVision Cloud. There, the user can open any of these designs and interact with a “live” version, or save a copy and make desired changes, then re-simulate and see the effect of those changes. These examples can provide useful starting points for creating custom designs.

To learn more about EH design capability in SystemVision Cloud, go to www.systemvision.com/blog/energy-harvesting

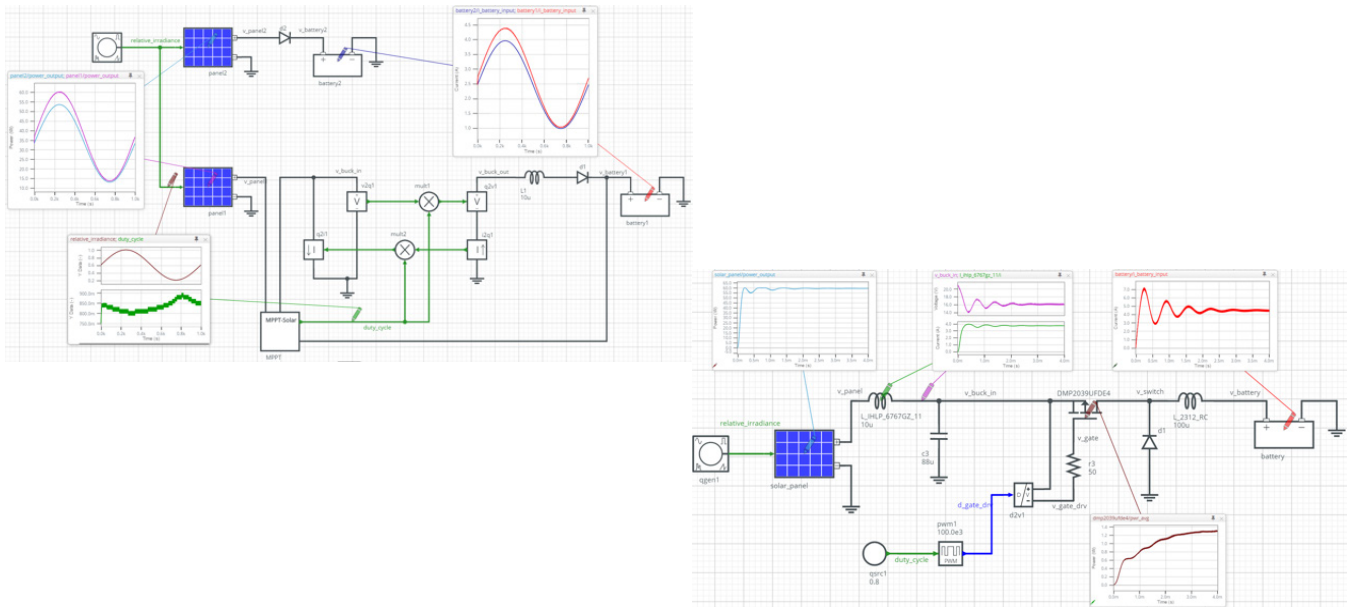
Thermal Energy Example

The example shown at the top of the reverse side is an electro-thermal EH system. It includes a Peltier/Seebeck TEG and a sampled-data algorithm for maximum power point tracking (MPPT). This example could be for an industrial process or automotive engine sensing application, anywhere there is a waste heat source at relatively high temperature, with a much lower temperature ambient heat sink nearby.



Solar Energy Example

This example is for a somewhat higher power solar charging system for a 12 V automotive battery. The version of the design shown on the left-side can be used for system-level tradeoff analysis, comparing direct solar battery charging vs. using an MPPT algorithm and an ideal buck converter model. The right-side view shows a buck power stage circuit implementation, including all of the component power losses for efficiency assessment.



For the latest product information, call us or visit: www.systemvision.com

©2017 Mentor Graphics Corporation, all rights reserved. This document contains information that is proprietary to Mentor Graphics Corporation and may be duplicated in whole or in part by the original recipient for internal business purposes only, provided that this entire notice appears in all copies. In accepting this document, the recipient agrees to make every reasonable effort to prevent unauthorized use of this information. All trademarks mentioned in this document are the trademarks of their respective owners.

Corporate Headquarters
Mentor Graphics Corporation
 8005 SW Boeckman Road
 Wilsonville, OR 97070-7777
 Phone: 503.685.7000
 Fax: 503.685.1204

Sales and Product Information
 Phone: 800.547.3000
sales_info@mentor.com

Silicon Valley
Mentor Graphics Corporation
 46871 Bayside Parkway
 Fremont, CA 94538 USA
 Phone: 510.354.7400
 Fax: 510.354.7467

North American Support Center
 Phone: 800.547.4303

Europe
Mentor Graphics
 Deutschland GmbH
 Arnulfstrasse 201
 80634 Munich
 Germany
 Phone: +49.89.57096.0
 Fax: +49.89.57096.400

Pacific Rim
Mentor Graphics (Taiwan)
 11F, No. 120, Section 2,
 Gongdao 5th Road
 HsinChu City 300,
 Taiwan, ROC
 Phone: 886.3.513.1000
 Fax: 886.3.573.4734

Japan
Mentor Graphics Japan Co., Ltd.
 Gotenyama Trust Tower
 7-35, Kita-Shinagawa 4-chome
 Shinagawa-Ku, Tokyo 140-0001
 Japan
 Phone: +81.3.5488.3033
 Fax: +81.3.5488.3004

Mentor[®]
 A Siemens Business

MGC 6-17 1034660-w